

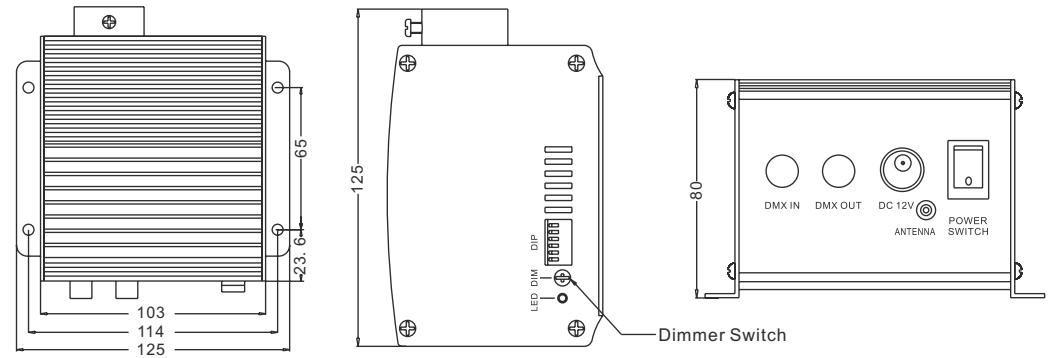
Aurora-5. 5W LED Light source/Illuminator

-replacing the Metal halide light source and Halogen light source



Advantages:

- Without current in the fiber, safe to user;
- It can be made into any shape or style that you need at random;
- Moving and dynamic effect make it more active;
- Isolation from UV/ IR;
- No damage to eye;



Product Characteristics

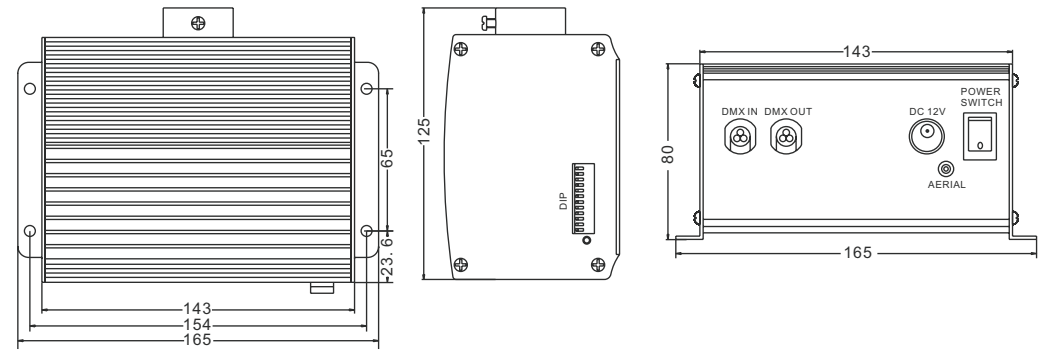
- Quiet
- Long lifespan
- Good heat dissipation
- Energy saving, environment friendly

- ①. High power led as lamp
- ②. 6 colors
- ③. Wireless remote control
- ④. Synchronization color changing
- ⑤. Dimmer lighting
- ⑥. Twinkle lighting function

Model	Voltage	LED Specification	Life of lamp	Standard Aperture	Fiber optics	Size	Functions
Aurora-5	12V DC	1*5W	50000H	Ø14	Ø0.75*250	L125*W125*H80	①②③
Aurora-5DMX	12V DC	1*5W	50000H	Ø14	Ø0.75*250	L125*W125*H80	①②③④⑤
Aurora-5DMX(1)	12V DC	1*5W	50000H	Ø14	Ø0.75*250	L125*W125*H80	①②③④⑤⑥

Aurora-10. 10W LED Light source/Illuminator

-replacing the Metal halide light source and Halogen light source



Product Characteristics

Quiet

Long lifespan

Good heat dissipation

Energy saving, environment friendly

- ①. High power led as lamp
- ②. 6 colors
- ③. Wireless remote control
- ④. Synchronization color changing
- ⑤. Dimmer lighting
- ⑥. Twinkle lighting function



Advantages:

- Without current in the fiber, safe to user;
- It can be made into any shape or style that you need at random;
- Moving and dynamic effect make it more active;
- Isolation from UV/ IR;
- No damage to eye;

Model	Voltage	LED Specification	Life of lamp	Standard Aperture	Fiber optics	Size	Functions
Aurora-10	12V DC	1*10W	50000H	Ø14	Ø0.75*250	L125*W165*H80	①②③
Aurora-10DMX	12V DC	1*10W	50000H	Ø14	Ø0.75*250	L125*W165*H80	①②③④⑤
Aurora-10DMX(1)	12V DC	1*10W	50000H	Ø14	Ø0.75*250	L125*W165*H80	①②③④⑤⑥

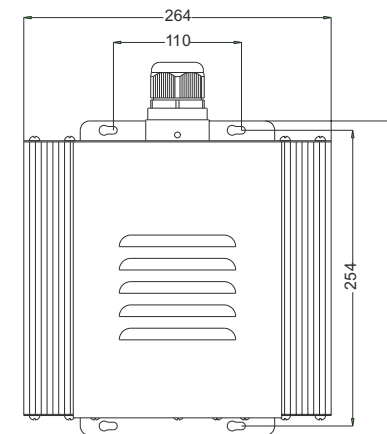
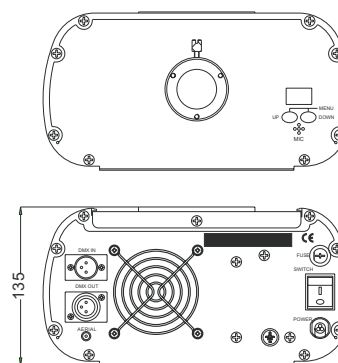
Aurora-40. 40W LED Light source/Illuminator

-replacing the Metal halide light source and Halogen light source



Advantages:

- Without current in the fiber, safe to user;
- It can be made into any shape or style that you need at random;
- Moving and dynamic effect make it more active;
- Isolation from UV/ IR;
- No damage to eye;



Product Characteristics

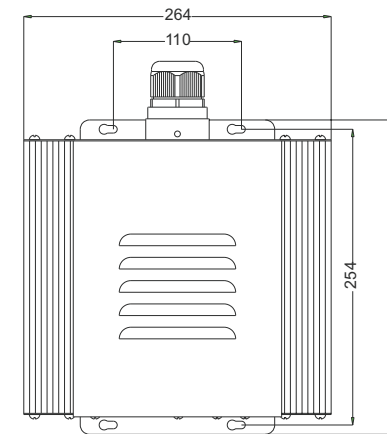
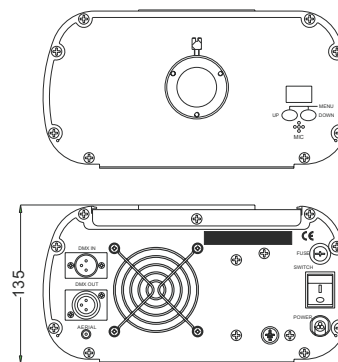
- Quiet
- Long lifespan
- Good heat dissipation
- Energy saving, enviroment friendly

- ①. High power led as lamp
- ②. 6 colors
- ③. Wirless remote control
- ④. Synchronization color changing
- ⑤. Dimmer lighting
- ⑥. Twinkle lighting function

Model	Voltage	LED Specification	Life of lamp	Standard Aperture	Fiber optics	Size	Functions
Aurora-40	110-220V /AC	1*40W	50000H	Ø28	Ø0.75*1050	L270*W264*H135	①②③
Aurora-40DMX	110-220V /AC	1*40W	50000H	Ø28	Ø0.75*1050	L270*W264*H135	①②③④⑤
Aurora-40DMX(1)	110-220V /AC	1*40W	50000H	Ø28	Ø0.75*1050	L270*W264*H135	①②③④⑤⑥

Aurora-80. 80W LED Light source/Illuminator

-replacing the Metal halide light source and Halogen light source



Product Characteristics

Quiet

Long lifespan

Good heat dissipation

Energy saving, enviroment friendly

- ①. High power led as lamp
- ②. 6 colors
- ③. Wirless remote control
- ④. Synchronization color changing
- ⑤. Dimmer lighting
- ⑥. Twinkle lighting function

Advantages:

- Without current in the fiber, safe to user;
- It can be made into any shape or style that you need at random;
- Moving and dynamic effect make it more active;
- Isolation from UV/ IR;
- No damage to eye;

Model	Voltage	LED Specification	Life of lamp	Standard Aperture	Fiber optics	Size	Functions
Aurora-80	110-220V /AC	1*80W	50000H	Ø28	Ø0.75*1050	L270*W264*H135	①②③
Aurora-80DMX	110-220V /AC	1*80W	50000H	Ø28	Ø0.75*1050	L270*W264*H135	①②③④⑤
Aurora-80DMX(1)	110-220V /AC	1*80W	50000H	Ø28	Ø0.75*1050	L270*W264*H135	①②③④⑤⑥