

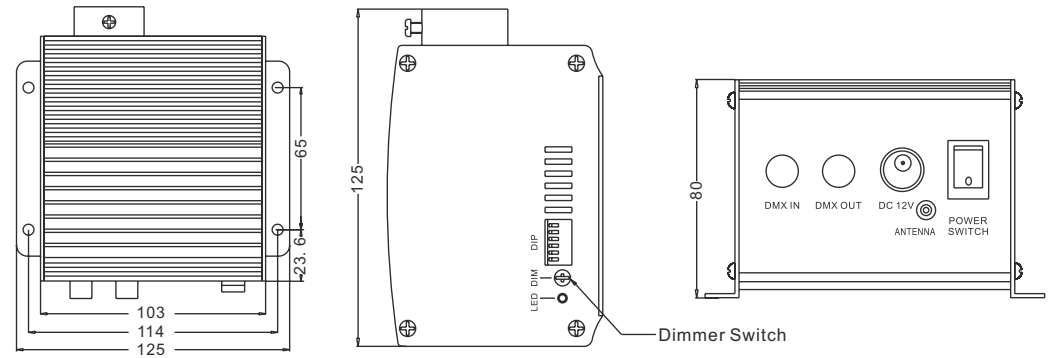
Aurora-3*2. 3*2W LED Light source/Illuminator

-replacing the Metal halide light source and Halogen light source



Advantages:

- Without current in the fiber, safe to user;
- It can be made into any shape or style that you need at random;
- Moving and dynamic effect make it more active;
- Isolation from UV/ IR;
- No damage to eye;



Product Characteristics

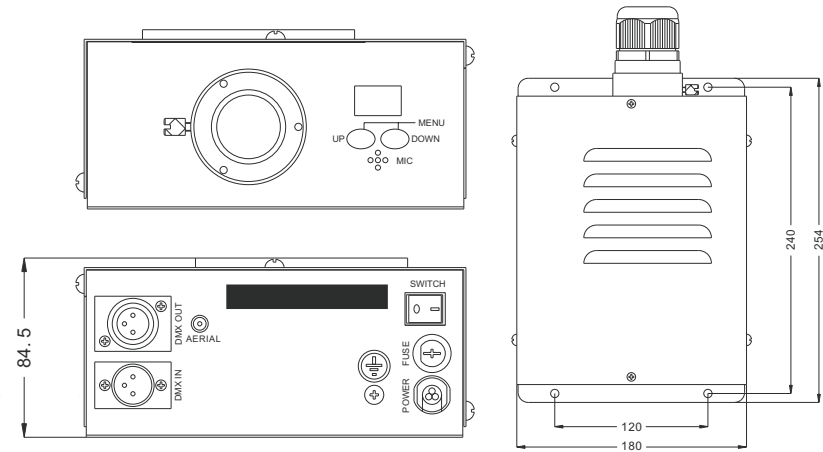
- Quiet
- Long lifespan
- Good heat dissipation
- Energy saving, environment friendly

- ①. High power led as lamp
- ②. RGB mixing color
- ③. Wireless remote control
- ④. Synchronization color changing
- ⑤. Dimmer lighting
- ⑥. Twinkle lighting function

| Model | Voltage | LED Specification | Life of lamp | Standard Aperture | Fiber optics | Size | Functions |
|------------------|---------|-------------------|--------------|-------------------|--------------|---------------|-----------|
| Aurora-3*2 | 12V DC | 3*2W RGB | 50000H | Ø14 | Ø0.75*250 | L125*W125*H80 | ①②③ |
| Aurora-3*2DMX | 12V DC | 3*2W RGB | 50000H | Ø14 | Ø0.75*250 | L125*W125*H80 | ①②③④⑤ |
| Aurora-3*2DMX(1) | 12V DC | 3*2W RGB | 50000H | Ø14 | Ø0.75*250 | L125*W125*H80 | ①②③④⑤⑥ |

Aurora-3*12. 3*12W LED Light source/Illuminator

-replacing the Metal halide light source and Halogen light source



Product Characteristics

Quiet

Long lifespan

Good heat dissipation

Energy saving, environment friendly

- ①. High power led as lamp
- ②. RGB mixing color
- ③. Wireless remote control
- ④. Synchronization color changing
- ⑤. Dimmer lighting
- ⑥. Twinkle lighting function

Advantages:

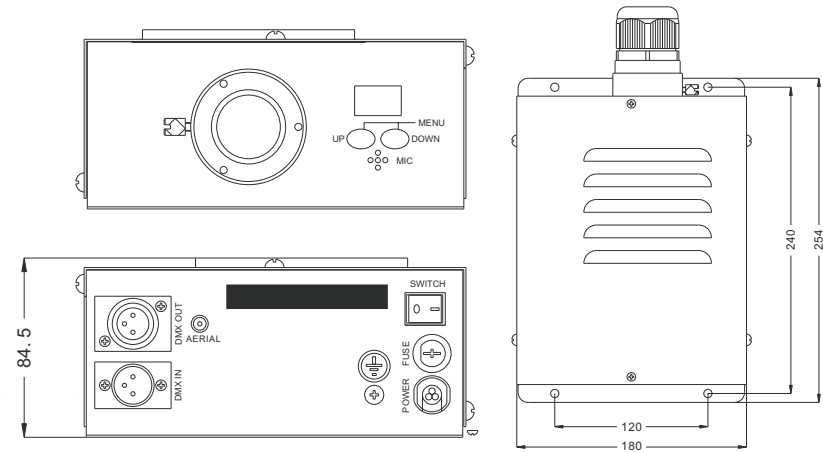
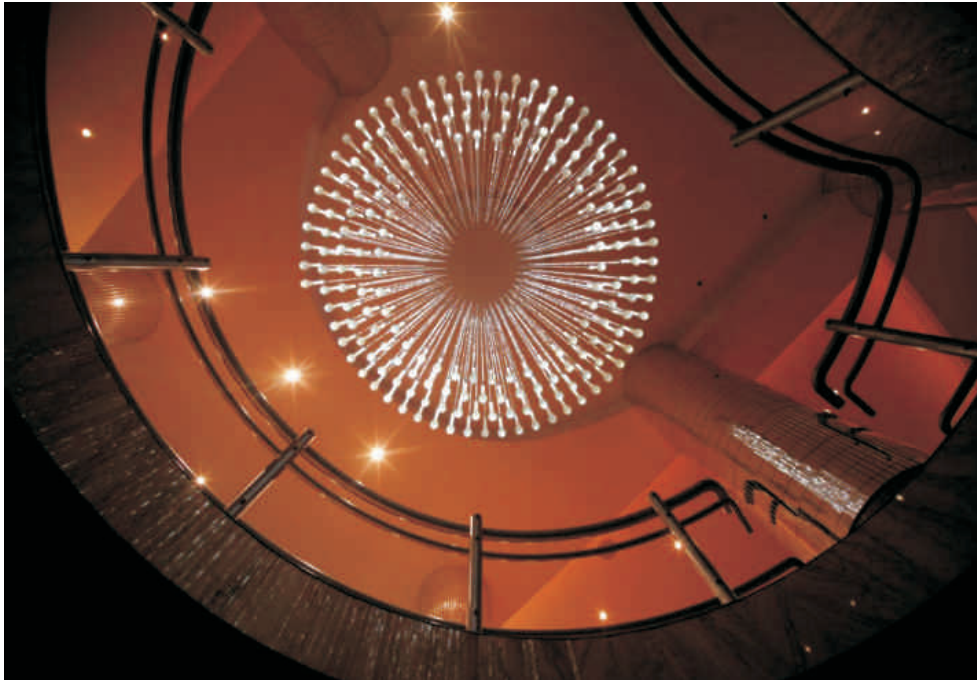
- Without current in the fiber, safe to user;
- It can be made into any shape or style that you need at random;
- Moving and dynamic effect make it more active;
- Isolation from UV/ IR;
- No damage to eye;



| Model | Voltage | LED Specification | Life of lamp | Standard Aperture | Fiber optics | Size | Functions |
|----------------|--------------|-------------------|--------------|-------------------|--------------|---------------|-----------|
| Aurora-3*12DMX | 110-220V /AC | 3*12W RGB | 50000H | Ø28 | Ø0.75*1050 | L254*W180*H85 | ①②③④⑤⑥ |

Aurora-4*9. 4*9W LED Light source/Illuminator

-replacing the Metal halide light source and Halogen light source



Product Characteristics

Quiet

Long lifespan

Good heat dissipation

Energy saving, environment friendly

- ①. High power led as lamp
- ②. RGB mixing color
- ③. Wireless remote control
- ④. Synchronization color changing
- ⑤. Dimmer lighting
- ⑥. Twinkle lighting function

Advantages:

- Without current in the fiber, safe to user;
- It can be made into any shape or style that you need at random;
- Moving and dynamic effect make it more active;
- Isolation from UV/ IR;
- No damage to eye;



| Model | Voltage | LED Specification | Life of lamp | Standard Aperture | Fiber optics | Size | Functions |
|---------------|--------------|-------------------|--------------|-------------------|--------------|---------------|-----------|
| Aurora-4*9DMX | 110-220V /AC | 4*9W RGBW | 50000H | Ø28 | Ø0.75*1050 | L254*W180*H85 | ①②③④⑤⑥ |